

LS610HDH Series DLP Projector

Quick Start Guide
 快速安装说明
 快速入門指南
 빠른 시작 가이드
 クイックスタートガイド
 Ръководство за бърз старт
 Vodič za brzo pokretanje
 Úvodní příručka
 Aan de slag
 Pika-aloitusopas
 Guide de démarrage rapide
 Schnellstarthandbuch
 Οδηγός γρήγορης εκκίνησης
 Első lépések
 Guida introduttiva

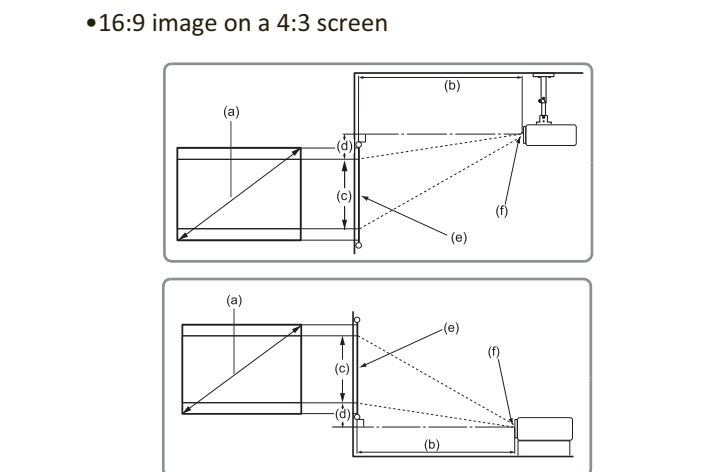
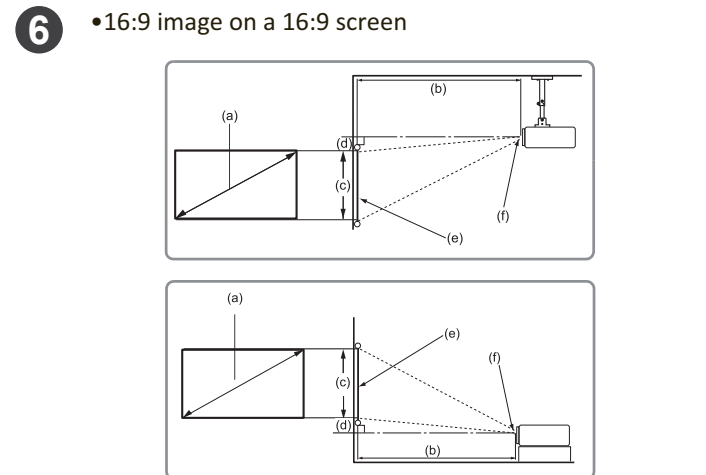
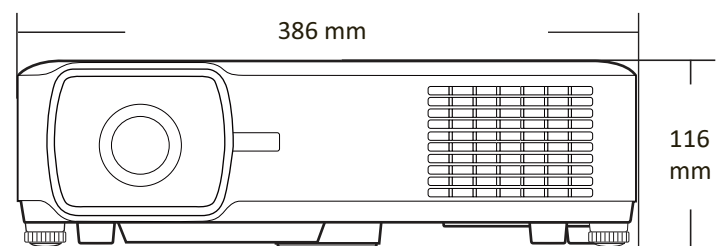
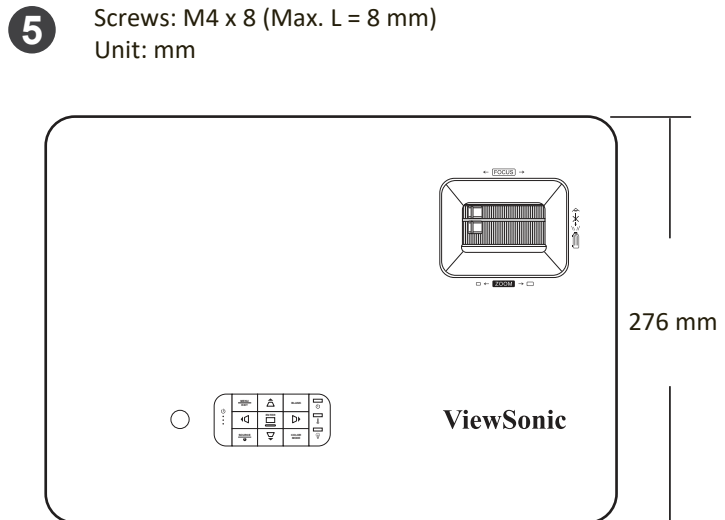
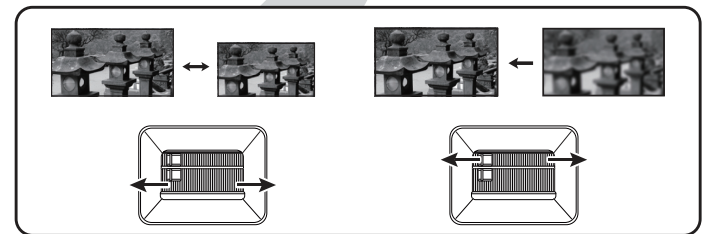
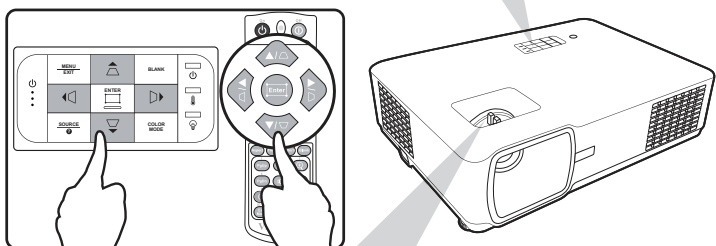
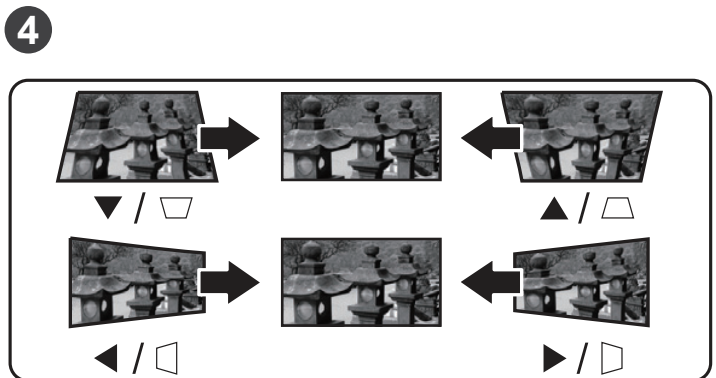
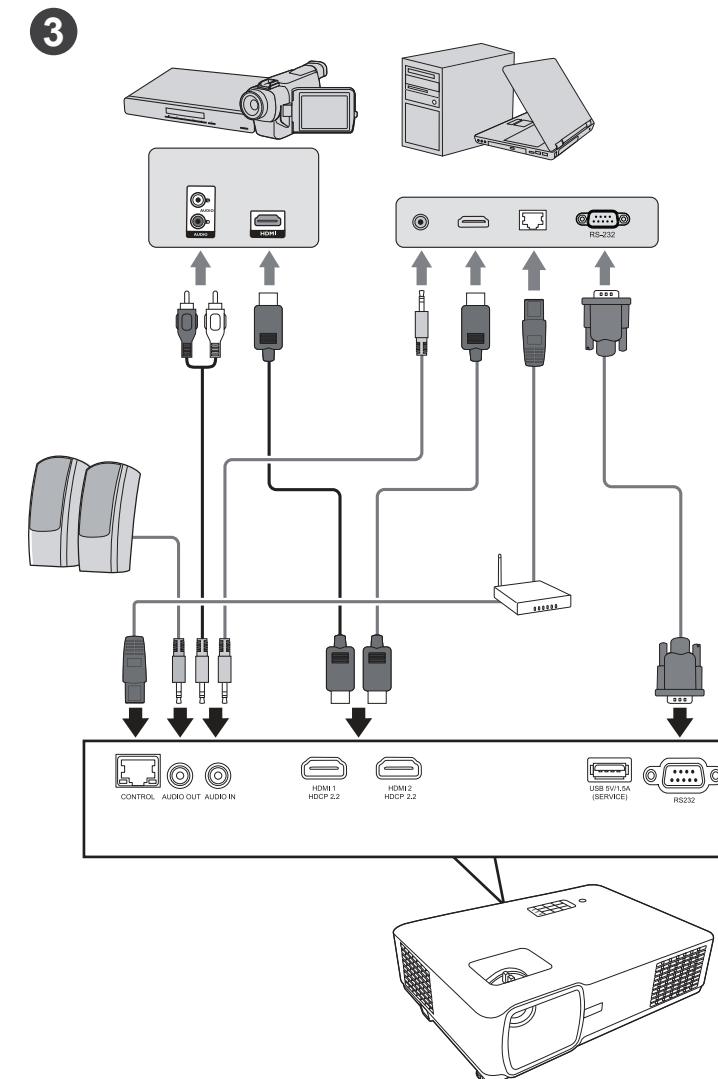
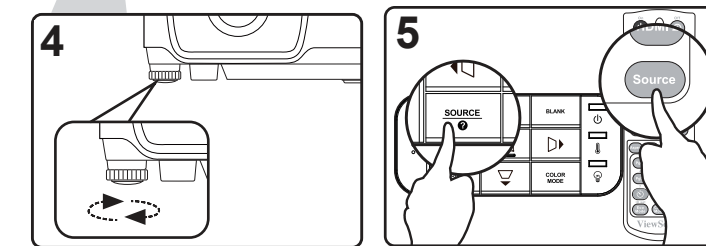
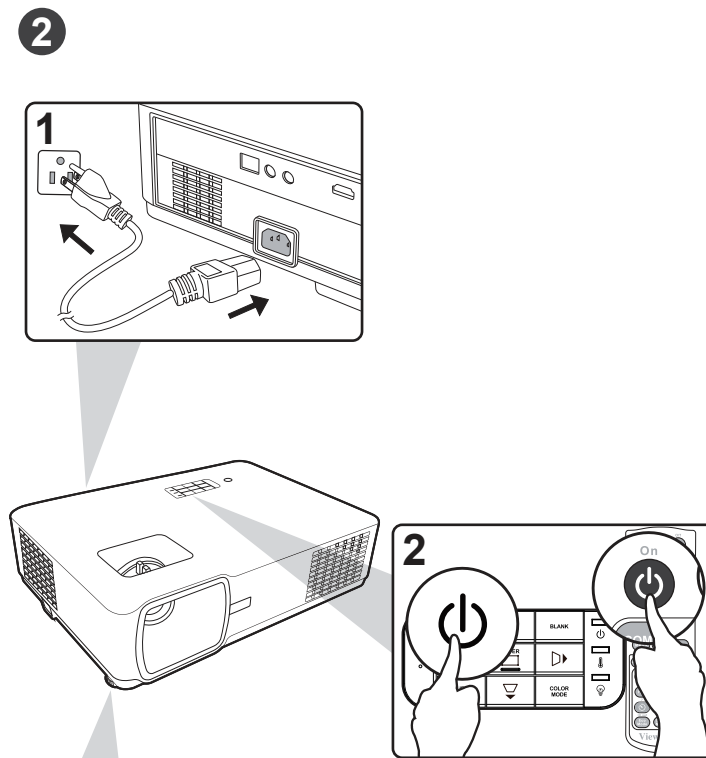
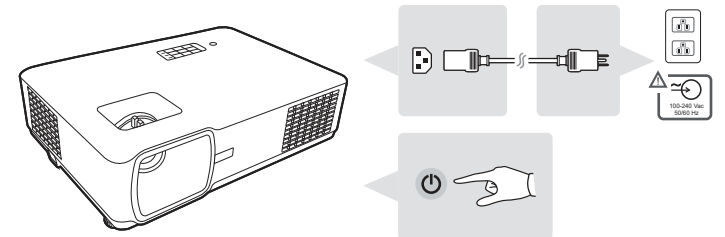
Przewodnik Szybki start
 Guia de Inicio Rápido
 Ghid de pornire rapidă
 краткое руководство по началу работы
 Vodič za brzi početak
 Příručka so stručným návodom
 Vodnik za hitri začetek
 Guia de inicio rápido
 Snabbstartsguide
 Hızlı Başlangıç Kılavuzu
 короткий посібник користувача
 Panduan Mulai Cepat
 دليل البدء السريع



ViewSonic Projector



Download Link
<http://vsweb.us/q/dn.php>



(e) = Screen
 (f) = Center of Lens

(a) Screen Size		16:9 Image on a 16:9 Screen							
		(b) Projection distance				(c) Image height		(d) Vertical offset	
inch	mm	min.		max.		inch	mm	max.	
30	762	34.07	865	40.88	1038	14.71	374	-1.25	-32
40	1016	45.42	1154	54.50	1384	19.61	498	-1.67	-42
50	1270	56.78	1442	68.13	1731	24.51	623	-2.08	-53
60	1524	68.13	1731	81.76	2077	29.42	747	-2.50	-64
70	1778	79.49	2019	95.38	2423	34.32	872	-2.92	-74
80	2032	90.84	2307	109.01	2769	39.22	996	-3.33	-85
90	2286	102.20	2596	122.64	3115	44.12	1121	-3.75	-95
100	2540	113.55	2884	136.26	3461	49.03	1245	-4.17	-106
120	3048	136.26	3461	163.51	4153	58.83	1494	-5.00	-127
150	3810	170.33	4326	204.39	5192	73.54	1868	-6.25	-159
200	5080	227.10	5768	272.52	6922	98.05	2491	-8.33	-212
250	6350	283.88	7211	340.65	8653	122.57	3113	-10.42	-265
300	7620	340.65	8653	408.79	10383	147.08	3736	-12.50	-318

(a) Screen Size		16:9 Image on a 4:3 Screen							
		(b) Projection distance				(c) Image height		(d) Vertical offset	
inch	mm	min.		max.		inch	mm	max.	
30	762	31.27	794	37.52	953	13.50	343	-1.15	-29
40	1016	41.69	1059	50.03	1271	18.00	457	-1.53	-39
50	1270	52.11	1324	62.54	1588	22.50	572	-1.91	-49
60	1524	62.54	1588	75.04	1906	27.00	686	-2.30	-58
70	1778	72.96	1853	87.55	2224	31.50	800	-2.68	-68
80	2032	83.38	2118	100.06	2541	36.00	914	-3.06	-78
90	2286	93.80	2383	112.56	2859	40.50	1029	-3.44	-87
100	2540	104.23	2647	125.07	3177	45.00	1143	-3.83	-97
120	3048	125.07	3177	150.09	3812	54.00	1372	-4.59	-117
150	3810	156.34	3971	187.61	4765	67.50	1715	-5.74	-146
200	5080	208.45	5295	250.14	6354	90.00	2286	-7.65	-194
250	6350	260.57	6618	312.68	7942	112.50	2858	-9.56	-243
300	7620	312.68	7942	375.22	9530	135.00	3429	-11.48	-291

It is recommended that if you intend to permanently install the projector, please physically test the projection size and distance using the actual projector in situ before you permanently install it.

