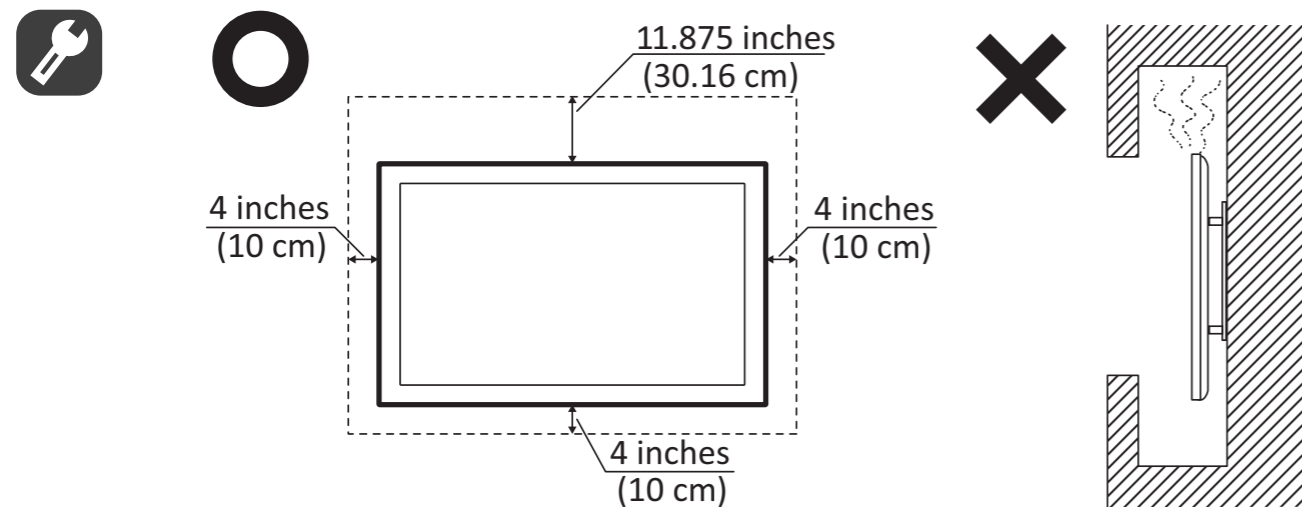
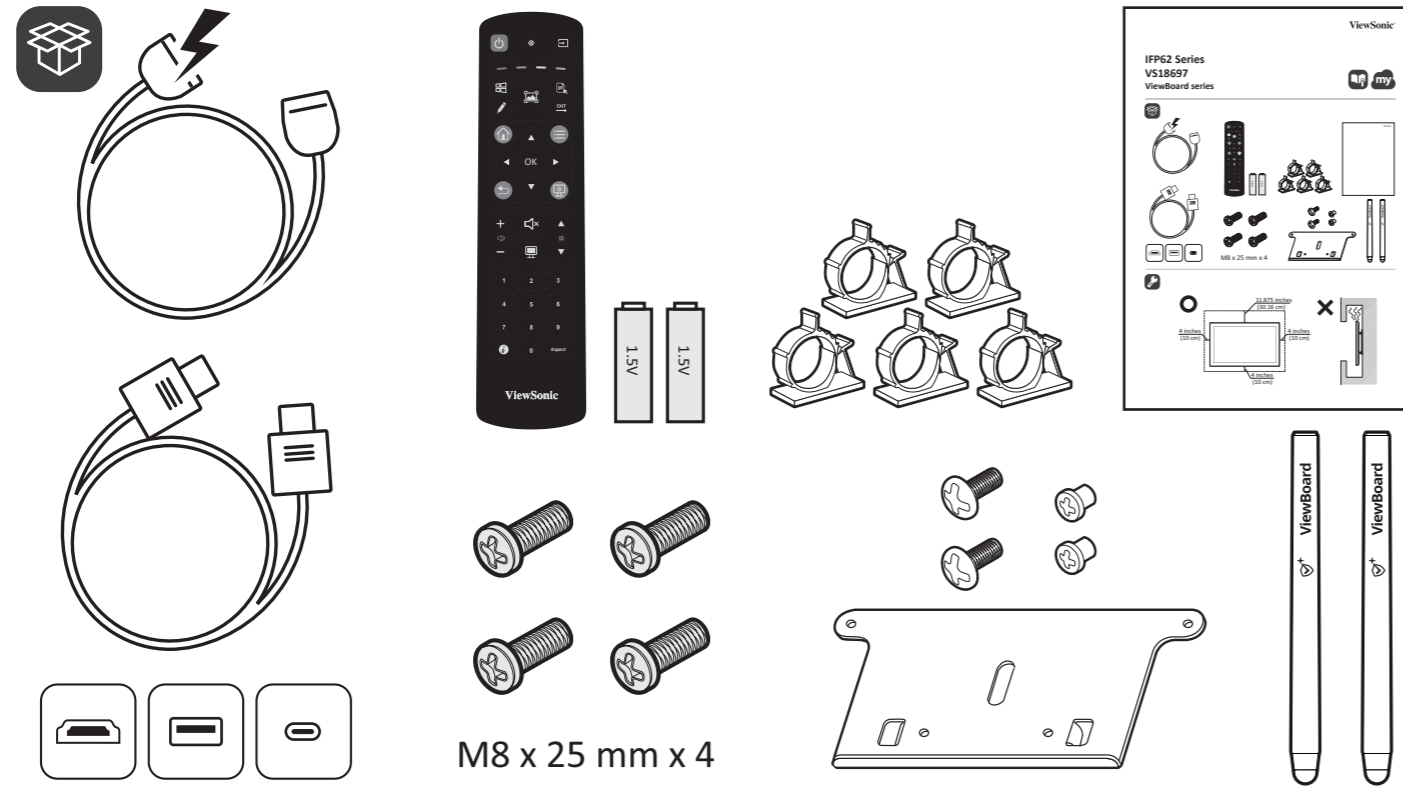


# IFP62 Series

## VS18622/VS18623/VS18624

### ViewBoard series

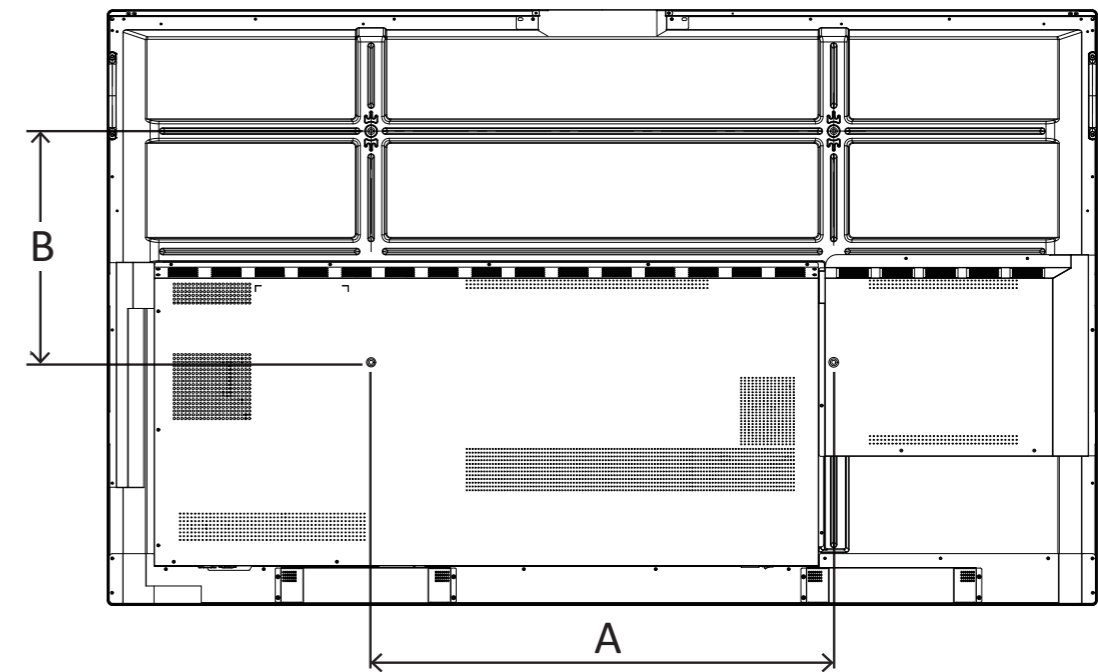


IFP62 Series

Support Center

[www.viewsonic.com](http://www.viewsonic.com)

**ViewSonic Europe Limited**  
 Haaksbergweg 75  
 1101 BR Amsterdam  
 Netherlands  
 +31 (0) 650608655  
 EPREL@viewsoniceurope.com  
<https://www.viewsonic.com/eu/>



IFP6562	600 x 400 mm (A x B)
IFP7562	800 x 400 mm (A x B)
IFP8662	800 x 400 mm (A x B)

