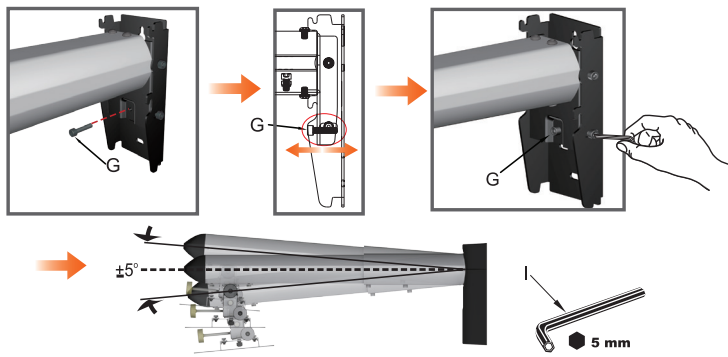
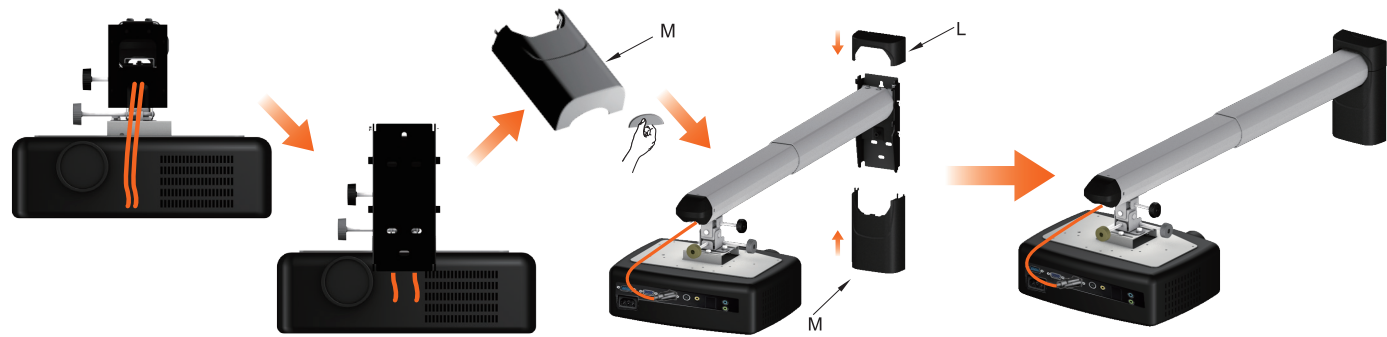


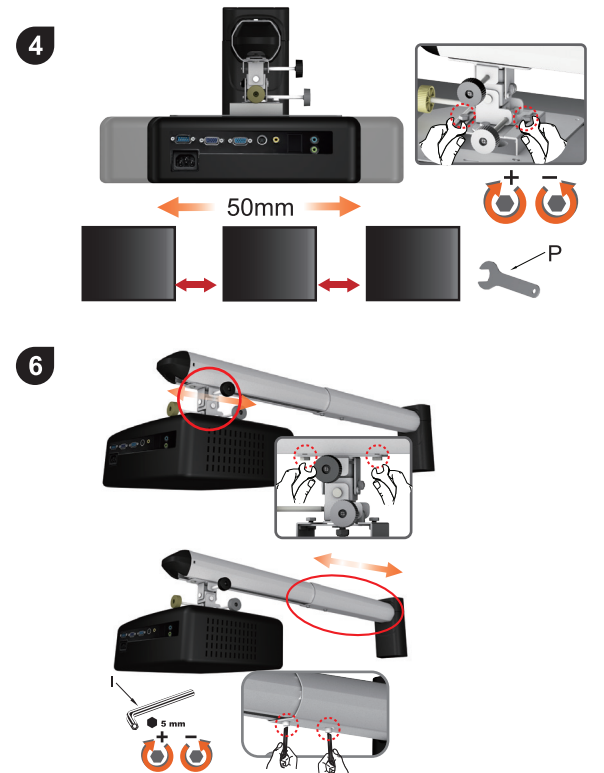
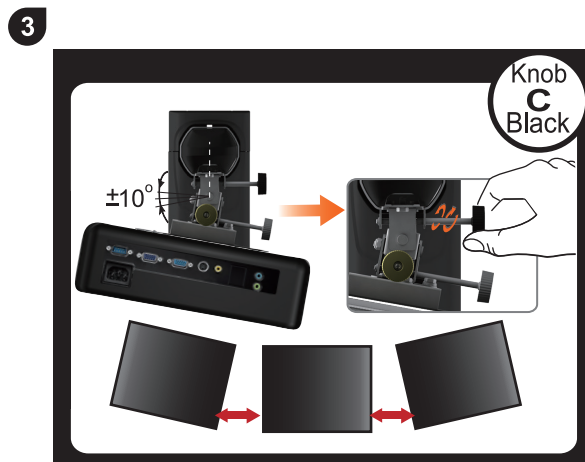
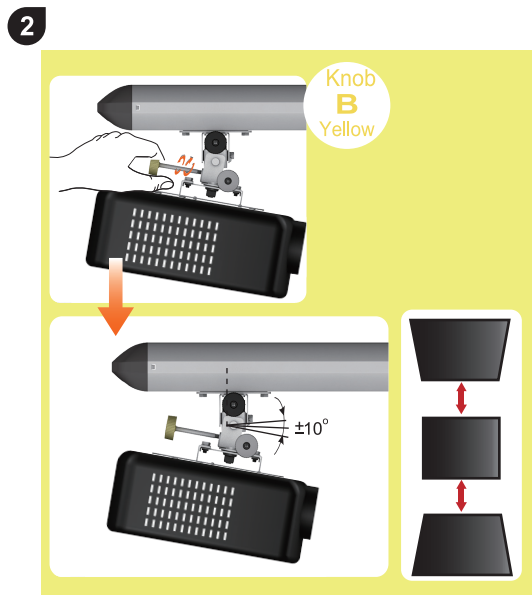
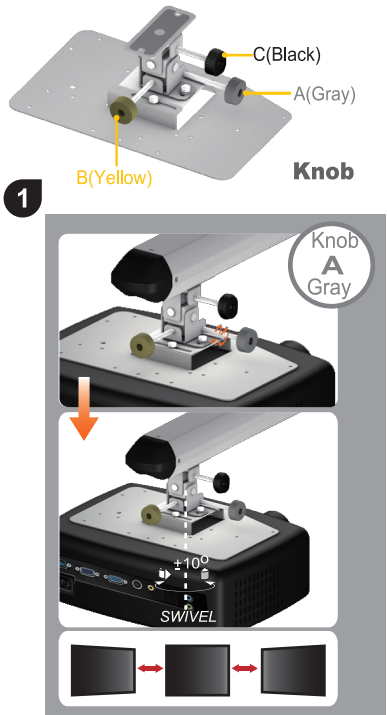
11 Wall Mount Tilt Angle



12 Cable Management



Adjust Tilt Angle



ViewSonic Corporation (US/Canada/Latin America)
 ☎ : www.viewsonic.com/support/product-registration
 📍 : 381 Brea Canyon Road, Walnut, CA 91789-0708, USA
 ☎ : 909-468-1240

United States
 ☎ 1-800-688-6688
 ☎ 1-424-233-2530
 ✉ service.us@viewsonic.com
Latin America (Mexico)
 ☎ 001-8882328722
 ✉ soporte@viewsonic.com
Latin America (Columbia)
 ☎ 01800-9-157235
 ✉ soporte@viewsonic.com
Latin America (Chile)
 ☎ 1230-020-7975
 ✉ soporte@viewsonic.com

Canada
 ☎ 1-866-463-4775
 ☎ 1-424-233-2533
 ✉ service.ca@viewsonic.com
Latin America (Peru)
 ☎ 0800-54565
 ✉ soporte@viewsonic.com
Latin America (Argentina)
 ☎ 0800-4441185
 ✉ soporte@viewsonic.com
Puerto Rico & Virgin Islands
 ☎ 1-800-688-6688 (English)
 ☎ 1-866-379-1304 (Español)
 ✉ soporte@viewsonic.com
 service.us@viewsonic.com

ViewSonic Europe Ltd.
 ☎ : www.viewsoniceurope.com
 📍 : Tower 42, Level 10, 25 Old Broad St., London EC2N 1HQ, United Kingdom
 ☎ : +44 (0) 207 382 8251

Europe
 ☎ www.viewsoniceurope.com/uk/
Suomi
 ☎ www.viewsoniceurope.com/fi/
Deutschland
 ☎ www.viewsoniceurope.com/de/

优派科技 (中国) 有限公司
ViewSonic China Limited
 ☎ : www.viewsonic.com.cn/?service_register
 📍 : 上海邮政082-008信箱

France
 ☎ www.viewsoniceurope.com/fr/
España
 ☎ www.viewsoniceurope.com/es/
Россия
 ☎ www.viewsoniceurope.com/ru/

中国
 ☎ 4008-988-588
 ✉ service.cn@cn.viewsonic.com

ViewSonic International Corporation 美商優派國際股份有限公司
 ☎ : www.viewsonic.com.tw
 📍 : 9F, No.192, Lien Chen Rd., Zhonghe Dist., New Taipei City 235, Taiwan, R.O.C.
 ☎ : 886 (2) 2249-1751

台灣
 ☎ 0800-061-198
 ✉ service@tw.viewsonic.com
香港
 ☎ 852-3102-2900
 ✉ service@hk.viewsonic.com
한국
 ☎ 080-333-2131
 ✉ service@kr.viewsonic.com
Singapore/Malaysia/Thailand
 ☎ 65-6461-6044
 ✉ service@sg.viewsonic.com

India
 ☎ 1800-266-0101
 ✉ service@in.viewsonic.com
South Africa
 ✉ ap.viewsonic.com/za/
Australia
 ☎ 1800-880 818
 ✉ service@au.viewsonic.com
New Zealand
 ☎ 0800-008-822
 ✉ service@au.viewsonic.com