



# HB10B HDBT Transmitter & Receiver Quick Start Guide

## 1 FEATURES

- Supports HDMI Deep Color & full 3D & 4K2K@30 \*HDBaseT technology
- Extends the transmission up to 60m(197ft) by Cat5e/6 or up to 70m/230ft by Cat6a cable from the HDMI source at Full HD 1080p@60 and 40m (130ft) at 4K2K@30
- Supports PoC (Power over Cable)
- HDCP & EDID Bypass
- Auto equalization
- Pure unaltered uncompressed 7.1ch digital HDMI over Cat.5/5e/6 cable transmission
- DTS-HD Master Audio and Dolby TrueHD high bit rate audio support
- Supports full frequency IR signal from 20kHz to 60kHz
- Bi-directional IR path-through

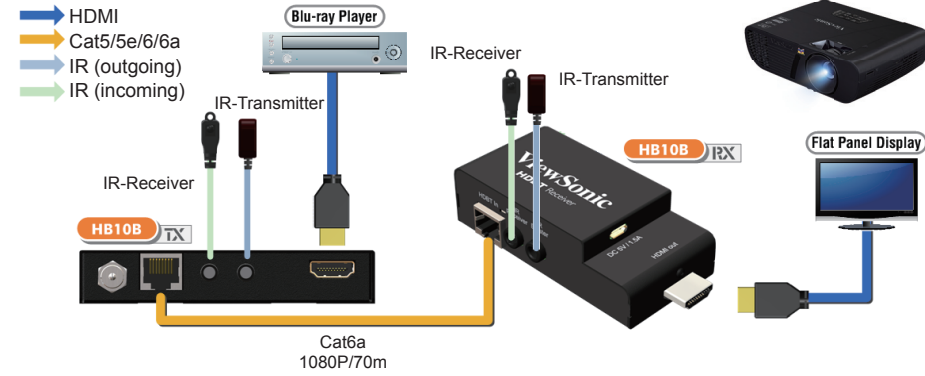
## 2 PACKAGE CONTENTS

- 1x HB10B [TX & RX]
- 1x Quick Start Guide
- 1x IR blaster
- 1x IR receiver
- 3x wall mount kits with screws.
- 1x DC 12V 1.5A power adapter



Model No.: VS16547

## 3 CONNECTION DIAGRAM



## 4 HARDWARE INSTALLATION

1. Switch off all device, including monitor.
2. Connect an HDMI source (such as a Blu-ray Disc player) to the HDMI input on the HB10B-TX.
3. Connect a display to the HDMI output on the HB10B-RX.
4. Connect a Cat5/5e/6 cable between HB10B-TX and HB10B-RX.
5. Plug in 12V 1.5A DC power adapter on HB10B-TX.
6. Power on the HDMI monitor/Projector and HDMI source.



- 中国**  
<http://www.viewsonic.com.cn>  
电话: 4008 988 588
- 香港**  
<http://www.hk.viewsonic.com>  
電話: 852 3102 2900
- 澳門**  
<http://www.hk.viewsonic.com>  
電話: 853 2870 0303
- 台灣**  
<http://www.viewsonic.com.tw>  
電話: 0800 061 198
- 한국**  
<http://ap.viewsonic.com/kr/>  
Phone: 080 333 2131
- Singapore/Malaysia/Thailand**  
<http://www.viewsonic.com.sg>  
Phone: 65 6461 6044
- India**  
<http://www.in.viewsonic.com>  
Phone: 1800 266 0101
- United States**  
<http://www.viewsonic.com>  
Phone: 1-800-688-6688 (Toll-Free)  
1-424-233-2530 (Toll)
- Canada**  
<http://www.viewsonic.com>  
Phone: 1-866-463-4775 (Toll-Free)  
1-424-233-2533 (Toll)
- Europe**  
<http://www.viewsoniceurope.com>
- Australia/New Zealand**  
<http://www.viewsonic.com.au>  
Phone: 1800 880 818 (AUS)  
0800 008 822 (NZ)
- South Africa**  
<http://ap.viewsonic.com/za/>
- Latin America (Chile)**  
<http://www.viewsonic.com/la/>  
Phone: <http://www.viewsonic.com/la/soporte/servicio-technico>
- Latin America (Mexico)**  
<http://www.viewsonic.com/la/>  
Phone: <http://www.viewsonic.com/la/soporte/servicio-technico>
- Latin America (Peru)**  
<http://www.viewsonic.com/la/>  
Phone: <http://www.viewsonic.com/la/soporte/servicio-technico>
- Latin America (Argentina)**  
<http://www.viewsonic.com/la/>  
Phone: <http://www.viewsonic.com/la/soporte/servicio-technico>
- Puerto Rico & Virgin Islands**  
<http://www.viewsonic.com>  
Phone: 1-800-688-6688 (English)  
<http://www.viewsonic.com/la/soporte/servicio-technico> (Español)

## 5 SPECIFICATIONS

Technical	HB10B [TX]	HB10B [RX]	
Role of usage	Transmitter [TX]	Receiver [RX]	
HDCP compliance	Yes		
HDMI compliance	HDMI Deep Color, full 3D & 4K2K@30		
Video bandwidth	Single-link 340MHz [10.2Gbps]		
Video support	480i/480p/576i/576p/720p/1080i/1080p60/4K2K@30		
HDMI over UTP distance	1080p60 70m[231ft]/4K2K@30 40m[130ft]		
Audio support	Surround sound (up to 7.1ch) or stereo digital audio		
Equalization	Auto		
Input TMDS signal	1.2 Volts [peak-to-peaks]		
Input DDC signal	5 Volts [peak-to-peak, TTL]		
ESD protection	Human body model — ±15kV [air-gap discharge] & ±8kV [contact discharge]		
IR pass-through	Bi-directional		
PoC support	Yes		
Input	1x HDMI + 1x 3.5mm	1xRJ-45 + 1x3.5mm	
Output	1xRJ-45 + 1x 3.5mm	1x HDMI + 1x 3.5mm	
HDMI connector	Type A [19-pin female]	Type A [19-pin male]	
RJ-45 connector	WE/SS 8P8C		
3.5mm connector	IR receiver/IR blaster	IR receiver/IR blaster	
<b>Housing</b>			
Metal enclosure			
Dimensions [L x W x H]	Physical	99.5 x 74 x 18mm	
	Package	84.5 x 41.5 x 23.9mm	
	Carton	264 x 170 x 77mm	
Weight	Physical	122g	92g
	Package	420 x 358 x 291mm	
0.65kg			
<b>Fixedness</b>			
Wall-mount case			
Power supply	12V 1.5A DC	POC from TX or 5V from USB	
Power consumption	3 Watt [max]	6 Watt [max]	
Operation temperature	0~40°C [32~104°F]		
Storage temperature	-20~60°C [-4~140°F]		
Relative humidity	20~90% RH [no condensation]		

## Compliance Information

### FCC Statement


This device complies with Part 15 of the FCC Rules. Operation is subject to the following two conditions: (1) this device may not cause harmful interference, and (2) this device must accept any interference received; including interference that may cause undesired operation.

**Warning:** You are cautioned that changes or modifications not expressly approved by the party responsible for compliance could void your authority to operate the equipment.

### For Canada

CAN ICES-3 (A)/NMB-3(A)

### CE Conformity for European Countries

 The device complies with the EMC Directive 2014/30/EU and Low Voltage Directive 2014/35/EU.

 Name: HB10B  
Model: VS16547  
EMC Certificate No. MSIP-REM-VIE-VS16547  
Applicant name of EMC: ViewSonic Corporation  
Manufacture Name: TopUnion Electronics Corp.  
Country of origin: Taiwan

### Following information is only for EU-member states:

The mark is in compliance with the Waste Electrical and Electronic Equipment Directive 2012/19/EU (WEEE).

The mark indicates the requirement NOT to dispose the equipment including any spent or discarded batteries or accumulators as unsorted municipal waste, but use the return and collection systems available.

If the batteries, accumulators and button cells included with this equipment, display the chemical symbol Hg, Cd, or Pb, then it means that the battery has a heavy metal content of more than 0.0005% Mercury or more than, 0.002% Cadmium, or more than 0.004% Lead.



## Important Safety Instructions

1. Read these instructions.
2. Keep these instructions.
3. Heed all warnings.
4. Follow all instructions.
5. Do not use this unit near water.
6. Clean with a soft, dry cloth.
7. Do not block any ventilation openings. Install the unit in accordance with the manufacturer's instructions.
8. Do not install near any heat sources such as radiators, heat registers, stoves, or other devices (including amplifiers) that produce heat.
9. Do not defeat the safety purpose of the polarized or grounding-type plug. A polarized plug has two blades with one wider than the other. A grounding type plug has two blades and a third grounding prong. The wide blade and the third prong are provided for your safety. If the provided plug does not fit into your outlet, consult an electrician for replacement of the obsolete outlet.
10. Protect the power cord from being walked on or pinched particularly at plugs. Convenience receptacles and the point where they exit from the unit. Be sure that the power outlet is located near the unit so that it is easily accessible.
11. Only use attachments/accessories specified by the manufacturer.
12. Use only with the cart, stand, tripod, bracket, or table specified by the manufacturer, or sold with the unit. When a cart is used, use caution when moving the cart/unit combination to avoid injury from tipping over.
13. Unplug this unit when unused for long periods of time.
14. Refer all servicing to qualified service personnel. Servicing is required when the unit has been damaged in any way, such as: if the power-supply cord or plug is damaged, if liquid is spilled onto or objects fall into the unit, if the unit is exposed to rain or moisture, or if the unit does not operate normally or has been dropped.



## Declaration of RoHS2 Compliance

This product has been designed and manufactured in compliance with Directive 2011/65/EU of the European Parliament and the Council on restriction of the use of certain hazardous substances in electrical and electronic equipment (RoHS2 Directive) and is deemed to comply with the maximum concentration values issued by the European Technical Adaptation Committee (TAC) as shown below:

Substance	Proposed Maximum Concentration	Actual Concentration
Lead (Pb)	0.1%	< 0.1%
Mercury (Hg)	0.1%	< 0.1%
Cadmium (Cd)	0.01%	< 0.01%
Hexavalent Chromium (Cr <sup>6+</sup> )	0.1%	< 0.1%
Polybrominated biphenyls (PBB)	0.1%	< 0.1%
Polybrominated diphenyl ethers (PBDE)	0.1%	< 0.1%

Certain components of products as stated above are exempted under the Annex III of the RoHS2 Directives as noted below:

Examples of exempted components are:

1. Mercury in cold cathode fluorescent lamps and external electrode fluorescent lamps (CCFL and EEFL) for special purposes not exceeding (per lamp):
  - (1) Short length ( $\leq 500$  mm): maximum 3.5 mg per lamp.
  - (2) Medium length ( $> 500$  mm and  $\leq 1,500$  mm): maximum 5 mg per lamp.
  - (3) Long length ( $> 1,500$  mm): maximum 13 mg per lamp.
2. Lead in glass of cathode ray tubes.
3. Lead in glass of fluorescent tubes not exceeding 0.2% by weight.
4. Lead as an alloying element in aluminium containing up to 0.4% lead by weight.
5. Copper alloy containing up to 4% lead by weight.
6. Lead in high melting temperature type solders (i.e. lead-based alloys containing 85% by weight or more lead).
7. Electrical and electronic components containing lead in a glass or ceramic other than dielectric ceramic in capacitors, e.g. piezoelectronic devices, or in a glass or ceramic matrix compound.