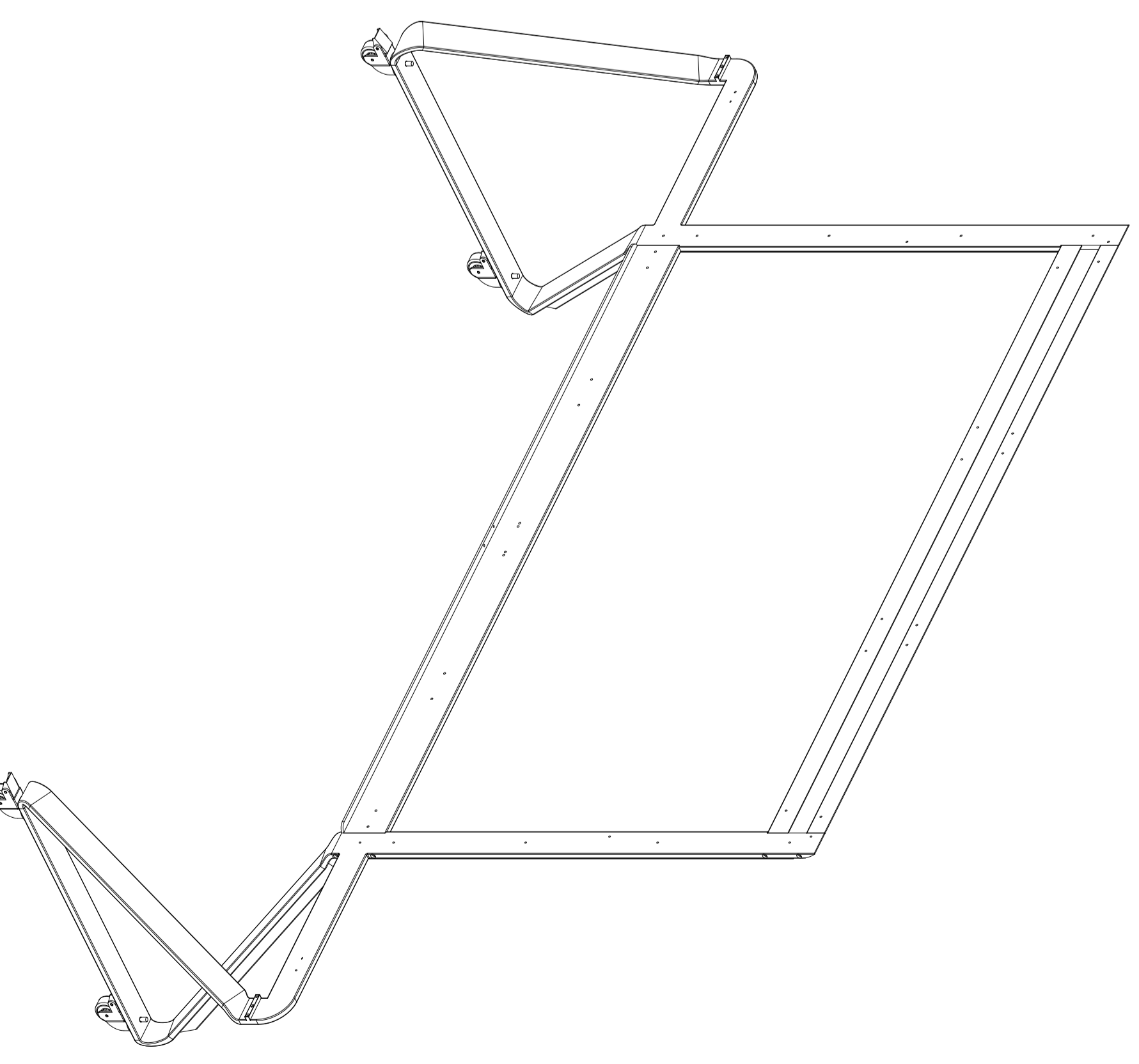
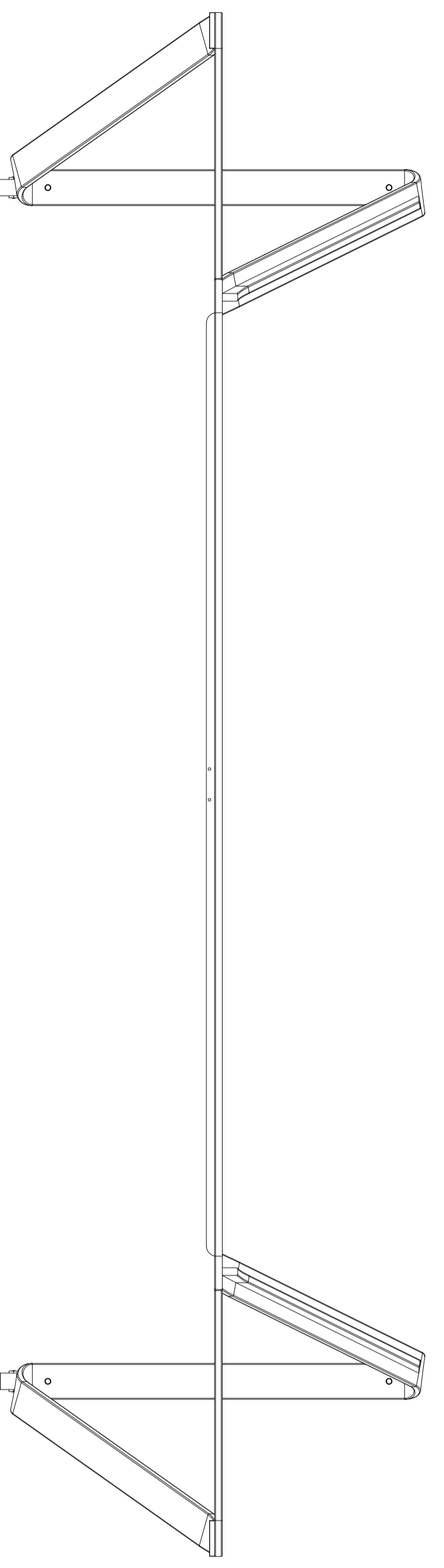
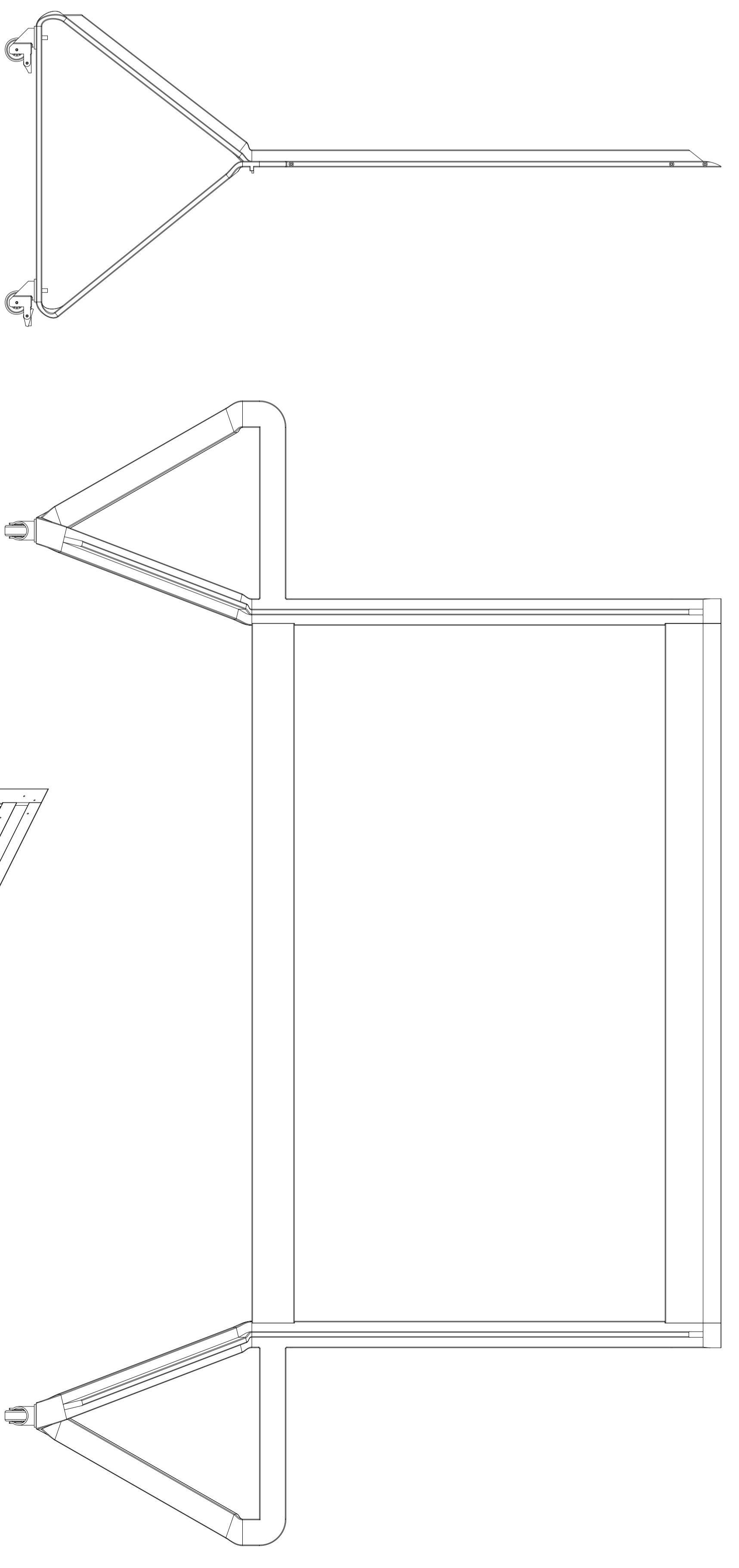
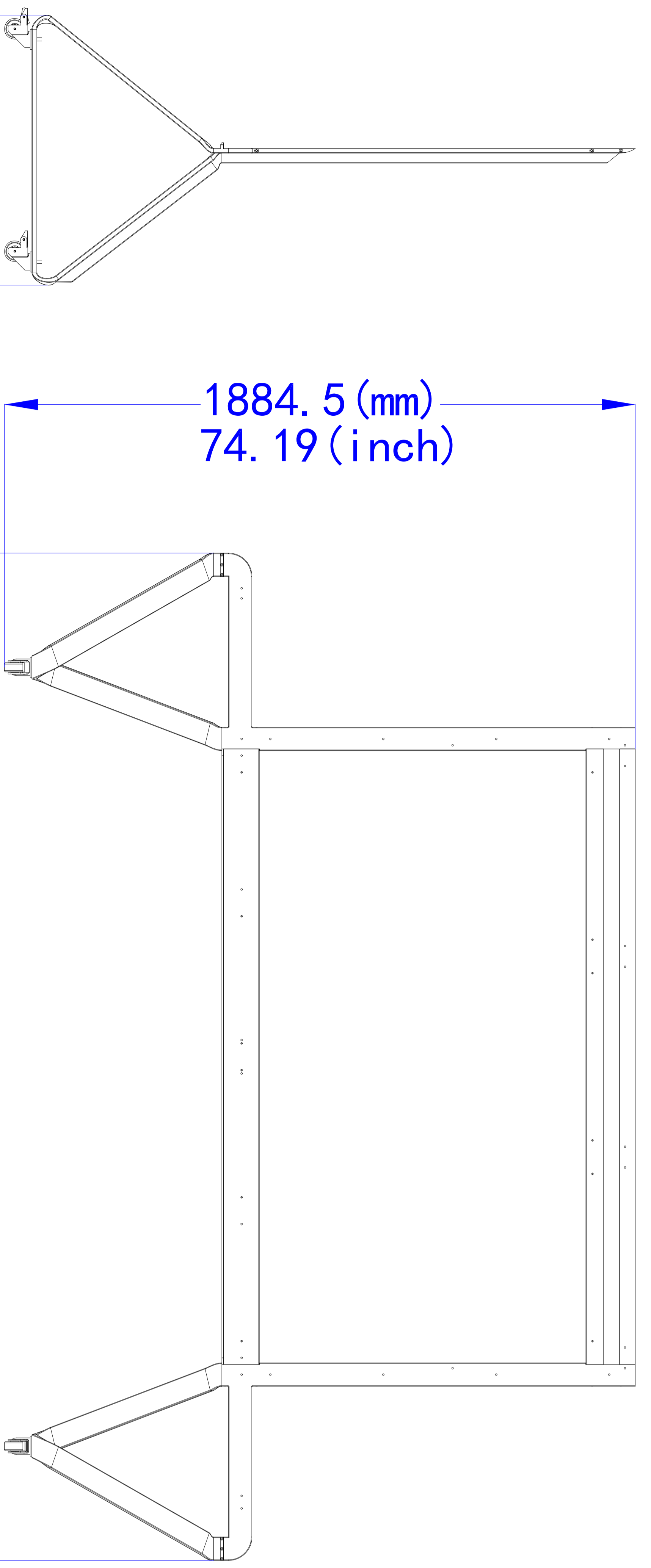
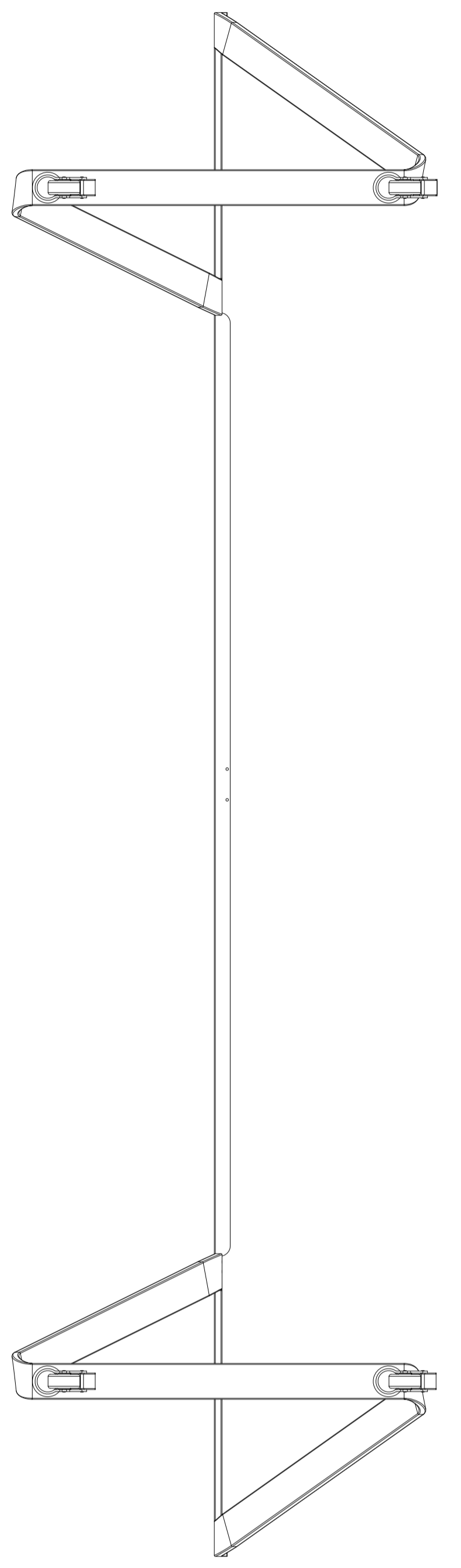


REV.	DESCRIPTION	SIGN.	DATE
△			
△			



NOTES:

1. ALL undimensioned features refer 3D
2. ALL dimensions without tolerance should follow GB1184-2000.
- 3: surface : Sandblasted black
4. Finish : Ref the artwork
5. MATERIAL : aluminium

MODEL NAME		PART NAME		SCALE	UNIT	mm/inch	STOCK NO.	
LD-STND-006 (135")		aluminium		0-10	±0.05	200-300	±0.3	---
DWG	Edison Shen	2023/05/12	MATERIAL	10-50	±0.1	300-400	±0.4	---
DSN			FINISH	50-100	±0.15	400-700	±0.5	SHEET
CHKD			TEXTURE	100-200	±0.2	ANGLE	±1.0°	1 OF 1
APPD			DRAWING NO.		---		Rev.	
				PART NO.	V1.0			

DRAWING NO.

1 2 3 4 5 6 7 8 9 10 11 12 13 14 15 16

A B C D E F G H I J K

