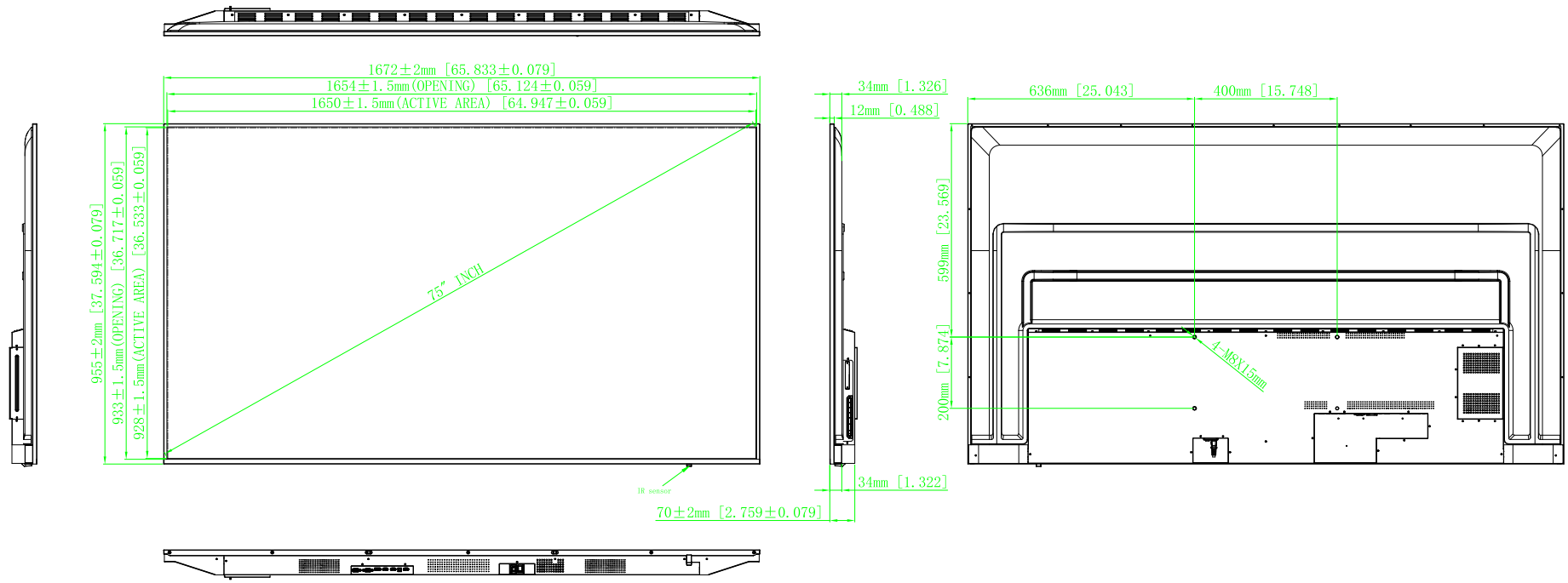


VSC CDE7520  
 Version: v1.0  
 Release Date:2019/11/18  
 Unit:mm[inch]

Sign	Date	Change Description	Designer
\	\	初版发行	\
△	\	\	\
△			
△			



TOLERANCES (Unless Otherwise Stated)		View Sonic				
尺寸范围	公差	Project NO.	Unit	mm	NOTES	
≤63	±0.10	CDE7520	Scale	1:1	\	
63 < x ≤ 160	±0.15	Part NO.	CDE7520	Scale		1:1
160 < x ≤ 400	±0.20	Part Name	\	Size		free
400 < x ≤ 1000	±0.25	Material	\	Pages		1/1
> 1000	±0.3	Color NO.	\	APV		
Angle	±0.3	Designer	\			
本公司适用于钣金开模件						
Third Projection						