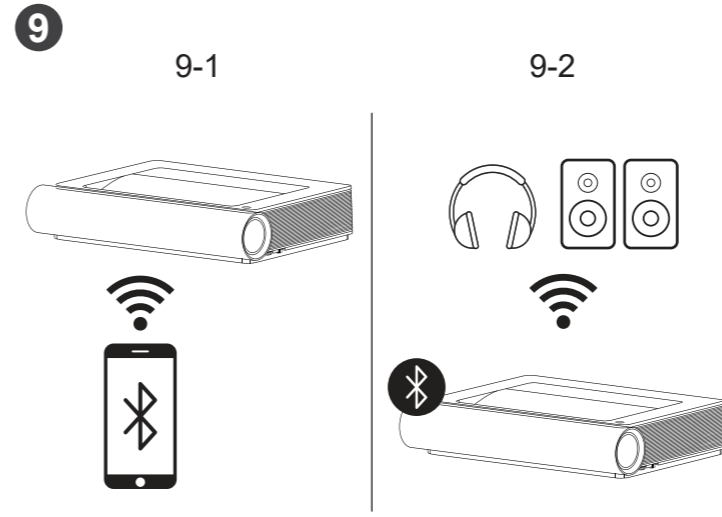
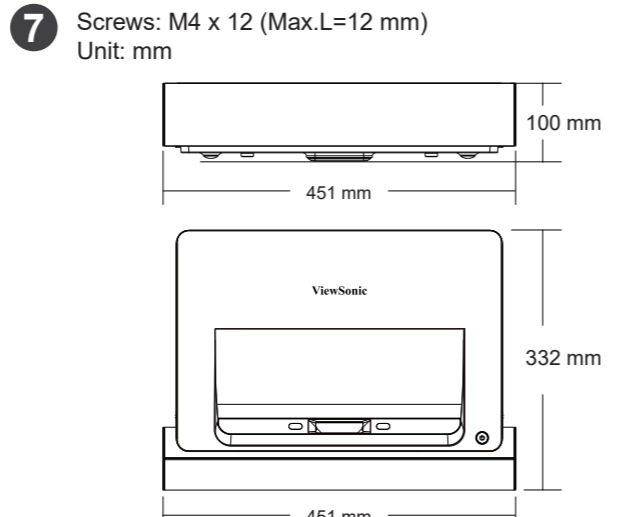
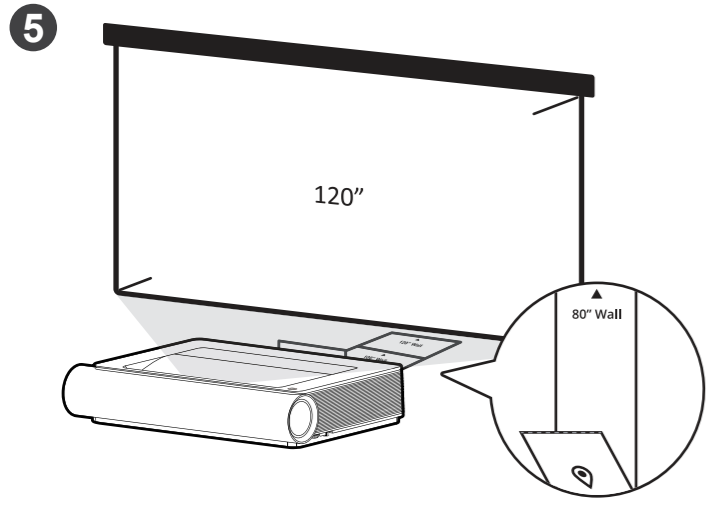
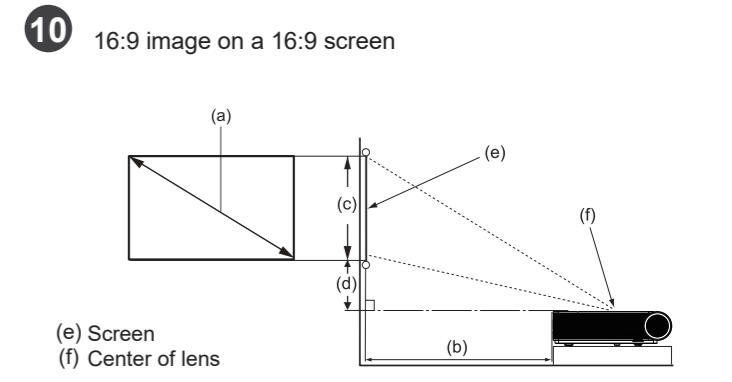
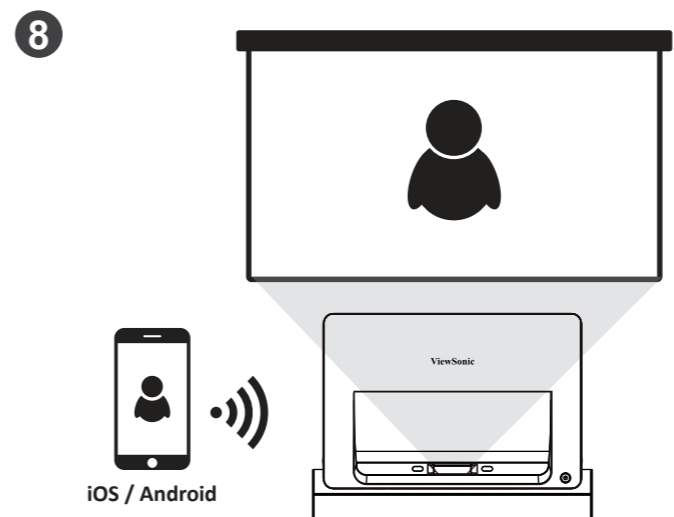
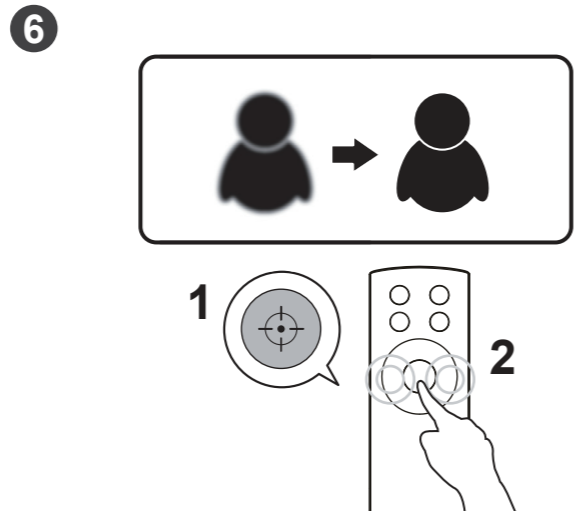
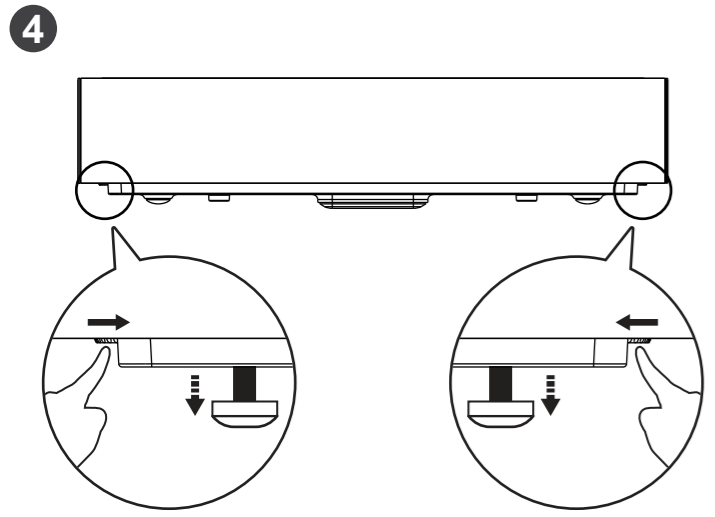
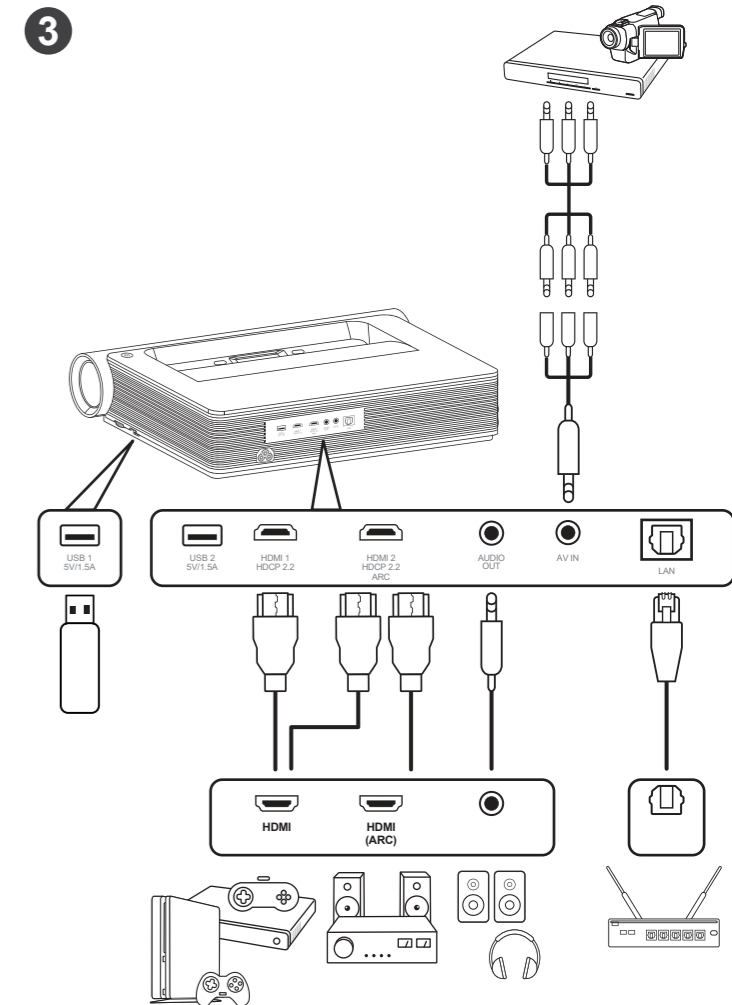
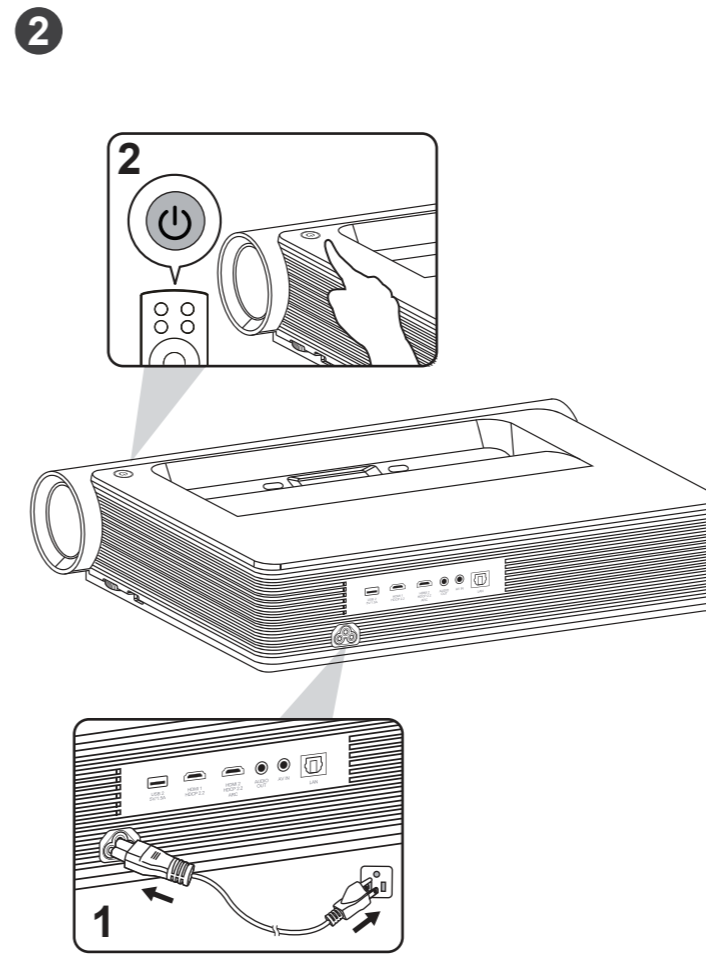
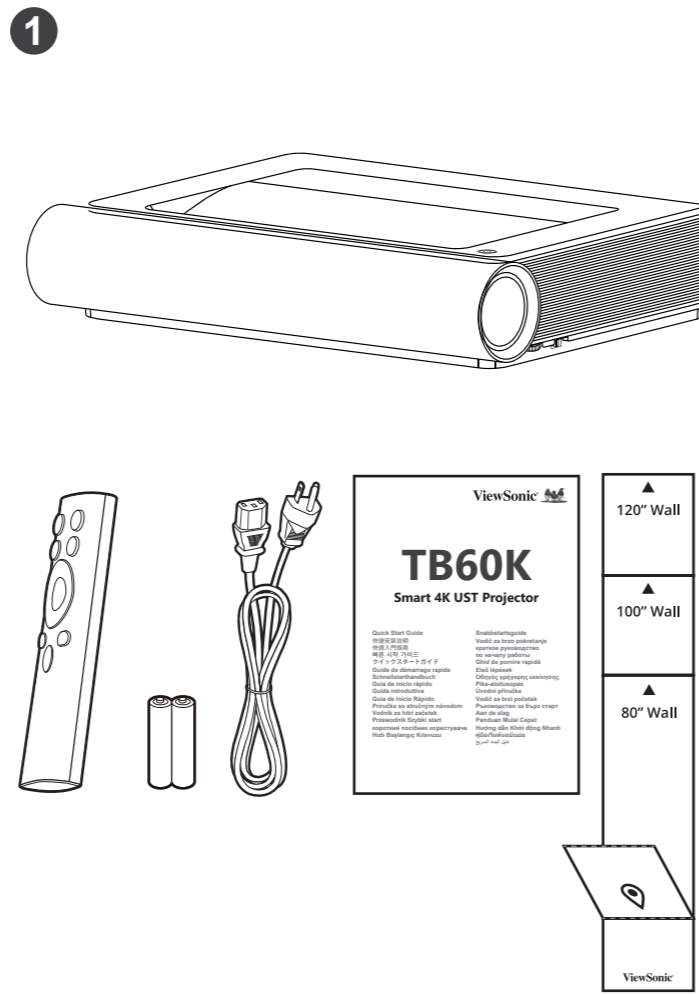


TB60K

Smart 4K UST Projector

Quick Start Guide
 快速安装说明
 快速入門指南
 빠른 시작 가이드
 クイックスタートガイド
 Guide de démarrage rapide
 Schnellstarthandbuch
 Guía de inicio rápido
 Guida introduttiva
 Guia de Inicio Rápido
 Priručka so stručným návodom
 Vodnik za hitri začetek
 Przewodnik Szybki start
 короткий посібник користувача
 Hızlı Başlangıç Kılavuzu

Snabbstartsguide
 Vodič za brzo pokretanje
 краткое руководство
 по началу работы
 Ghid de pornire rapidă
 Első lépések
 Οδηγός γρήγορης εκκίνησης
 Pika-aloitusopas
 Úvodní příručka
 Vodnik za brzi početak
 Ръководство за бърз старт
 Aan de slag
 Panduan Mulai Cepat
 Hướng dẫn Khởi động Nhanh
 ඉඹිමැරීමේ මාර්ගදර්ශන
 دليل البدء السريع



Distance from the center of the lens to the rear of the projector: 9.98 inches (253.4 mm)

(a) Screen Size		16:9 image on a 16:9 Screen					
		(b) Projection distance		(c) Image height		(d) Vertical offset	
inch	mm	inch	mm	inch	mm	inch	mm
65	1651	2.50	64	31.85	809	6.37	162
70	1778	3.46	88	34.32	872	6.87	174
80	2032	5.38	137	39.22	996	7.84	199
90	2286	7.3	185	44.12	1121	8.83	224
100	2540	9.21	234	49.03	1245	9.80	249
120	3048	13.05	332	58.83	1494	11.76	299
130	3302	14.97	380	64.73	1619	12.75	324
150	3810	18.80	478	73.54	1868	14.71	374

All measurements are approximate and may vary from the actual sizes. It is recommended that if you intend to permanently install the projector, you should physically test the projection size and distance using the actual projector in situ before you permanently install it, so as to make allowance for this projector's optical characteristics. This will help you determine the exact mounting position so that it best suits your installation location.

