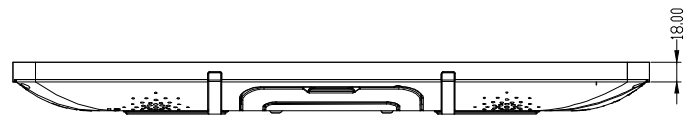
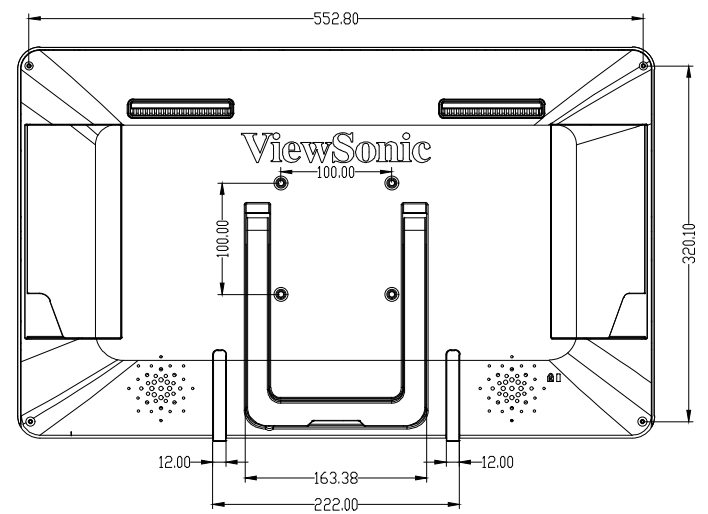
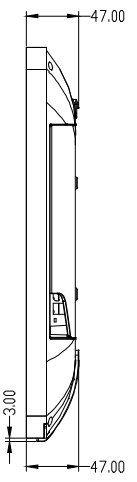
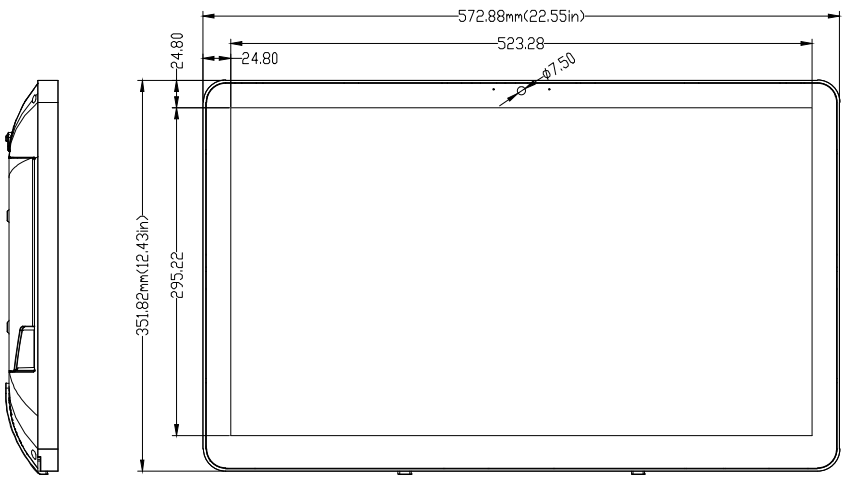
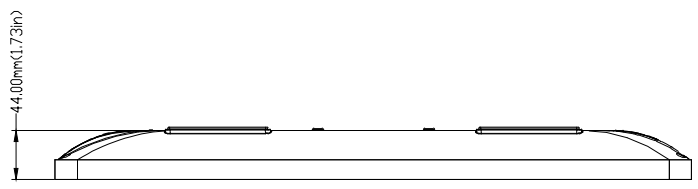
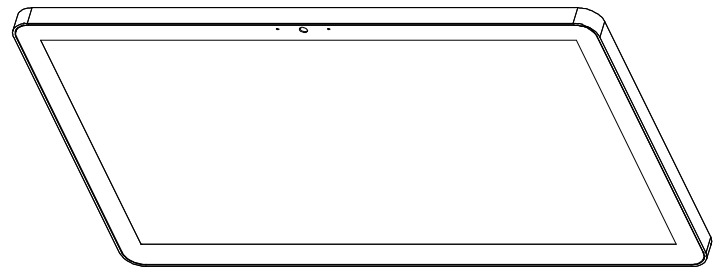


DIM.	LEVEL	General tolerance ±			SELECT LEVEL
		1	2	3	
0 ~ 4		0.05	0.10	0.15	2
4 ~ 14		0.05	0.15	0.20	
14 ~ 63		0.10	0.20	0.25	
63 ~ 250		0.15	0.25	0.30	
250 ~ 600		0.20	0.30	0.50	
600 ~ 4000		0.30	0.60	0.80	

螺纹规格	M2	#A13kgF.cm; #A15KG
推力要求	M2.5	#A14kgF.cm; #A16KG
	M3	#A14kgF.cm; #A17KG
	M4	#A16kgF.cm; #A18KG

Rev.	MARK	ZONE	Description	Drawing By	Date	Approved
v0	Δ3		Drawing Finish			



Used ON	Unless otherwise specified Dimensions are in Tolerances		PART Name	VSD212 六视图			
Next ASSY	Metric	Angles	PART NO.				
Units	XX ±0.2 XXX ±0.10	±0.5	Scale	Date	Drawing By	Checked By	Approved By Drawing NO.
Third Angle Projection	Material		1:1	201805	zhangzhi		
	Finish						
	Weight						


 彤诺电子鄂州有限公司  
 Ezhou Tongnuo Electronics Co., Ltd.

Sheet 1 OF 1  
 REV. V0